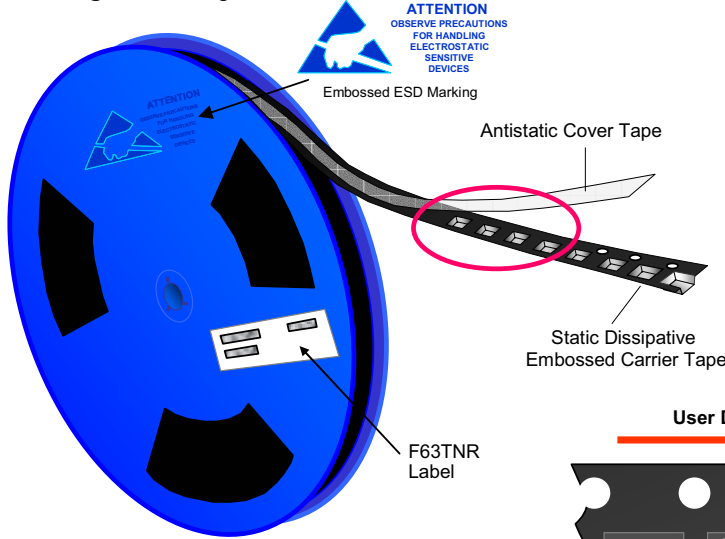


TO-252/DPAK Tape and Reel Data



TO-252 (D-PAK) Packaging Configuration: Figure 1.0



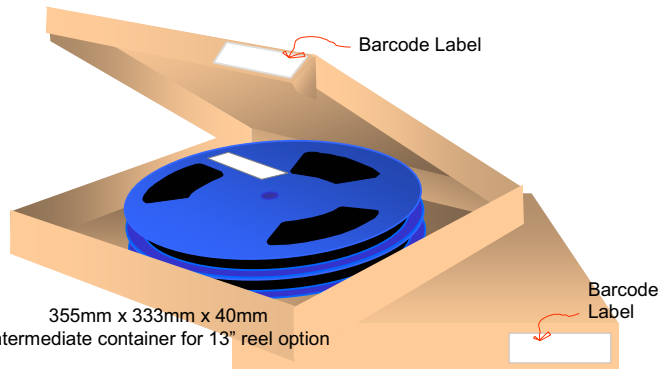
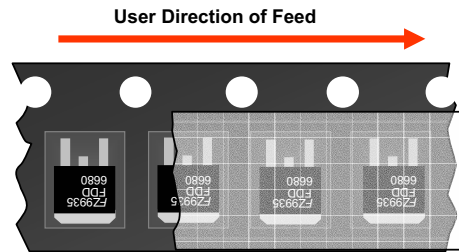
Packaging Description:

TO-252 parts are shipped in tape. The carrier tape is made from a dissipative (carbon filled) polycarbonate resin. The cover tape is a multi-layered film which comes either in HAA (Heat Activated Adhesive) or PSA (Pressure Sensitive Adhesive). HAA is primarily composed of polyester film, adhesive layer, sealant, and anti-static sprayed agent. PSA is composed of transparent polyester backing film, pressure sensitive synthetic polymer (adhesive), and metallized transparent conductive polyester film on the inner face.

These reeled parts in standard option are shipped with 2500 units per 13" or 330mm diameter reel. The reels are dark blue in color and is made of polystyrene plastic (anti-static coated). This and some other options are further described in the Packaging Information table.

These full reels are individually barcode labeled and placed inside a standard intermediate box (illustrated in figure 1.0) made of recyclable corrugated brown paper. One box contains two reels maximum. And these boxes are placed inside a barcode labeled shipping box which comes in different sizes depending on the number of parts shipped.

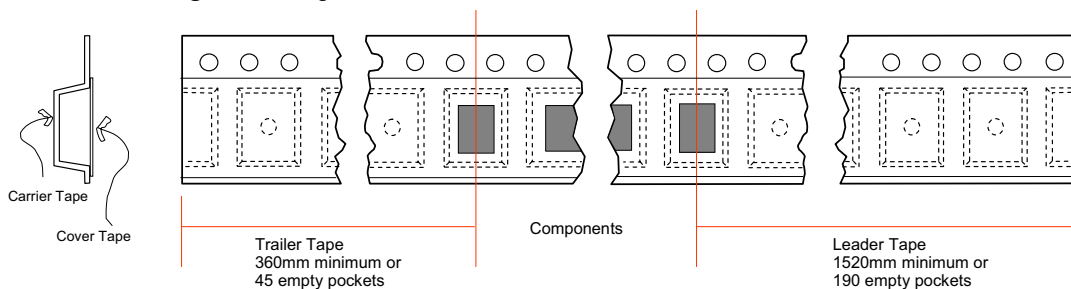
D-PAK (TO-252) Packaging Information		
Packaging Option	Standard (no flow code)	L86Z
Packaging type	TNR	Tube
Qty per Reel/Tube/Bag	2,500	75
Reel Size	13" Dia	-
Box Dimension (mm)	355x333x40	-
Max qty per Box	5,000	-
Weight per unit (gm)	0.300	0.300
Weight per Reel(kg)	1.200	-
Note/Comments		



Barcode Label sample

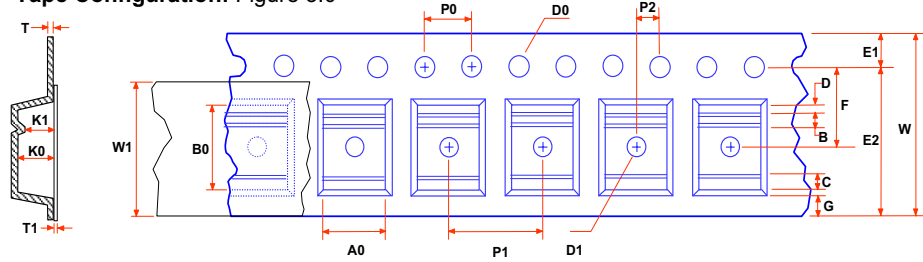
LOT: CBVK741B019	QTY: 2500
CBVK741B019	2500
PART ID: FDD6680	SPEC:
FDD6680	
D/C1: D9942AB QTY1:	SPEC REV:
D/C2: QTY2:	CPN:
FAIRCHILD SEMICONDUCTOR CORPORATION (F63TNR)	

TO-252 (D-PAK) Tape Leader and Trailer Configuration: Figure 2.0



TO-252/DPAK Tape and Reel Data, continued

TO-252 (D-PAK) Embossed Carrier Tape Configuration: Figure 3.0



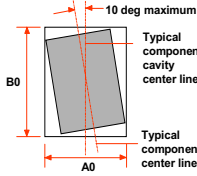
Dimensions are in millimeter

Pkg type	A0	B0	B	C	D	W	D0	D1	E1	E2	F	P1	P2	P0	K0	K1	T	G	W1	T1
TO252 DPAK (16mm)	6.90 +/- 0.10	10.50 +/- 0.10	1.20 +/- 0.10	2.0 +/- 0.10	3.0 +/- 0.30	16.0 +/- 0.30	1.55 ± 0.05	1.60 +/- 0.10	1.75 ± 0.10	14.25 min	7.50 +/- 0.10	8.0 +/- 0.10	2.00 ± 0.10	4.00 ± 0.10	2.65 +/- 0.15	1.75 +/- 0.15	0.63 max	0.75 min	13.10 +/- 0.30	0.06 ± 0.02

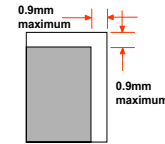
Notes: A0, B0, and K0 dimensions are determined with respect to the IEC/EIA/Jedec RS-481 rotational and lateral movement requirements (see sketches A, B, and C).



Sketch A (Side or Front Sectional View)
Component Rotation

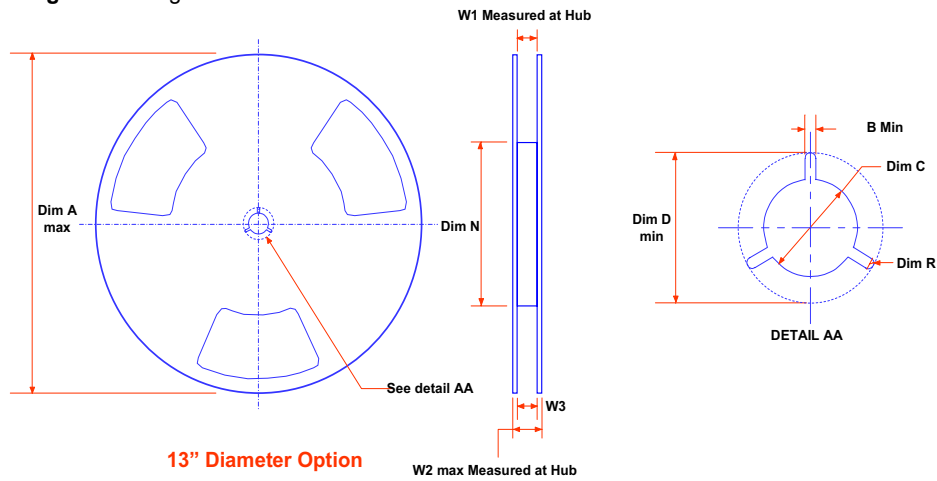


Sketch B (Top View)
Component Rotation



Sketch C (Top View)
Component lateral movement

TO-252 (D-PAK) Reel Configuration: Figure 4.0

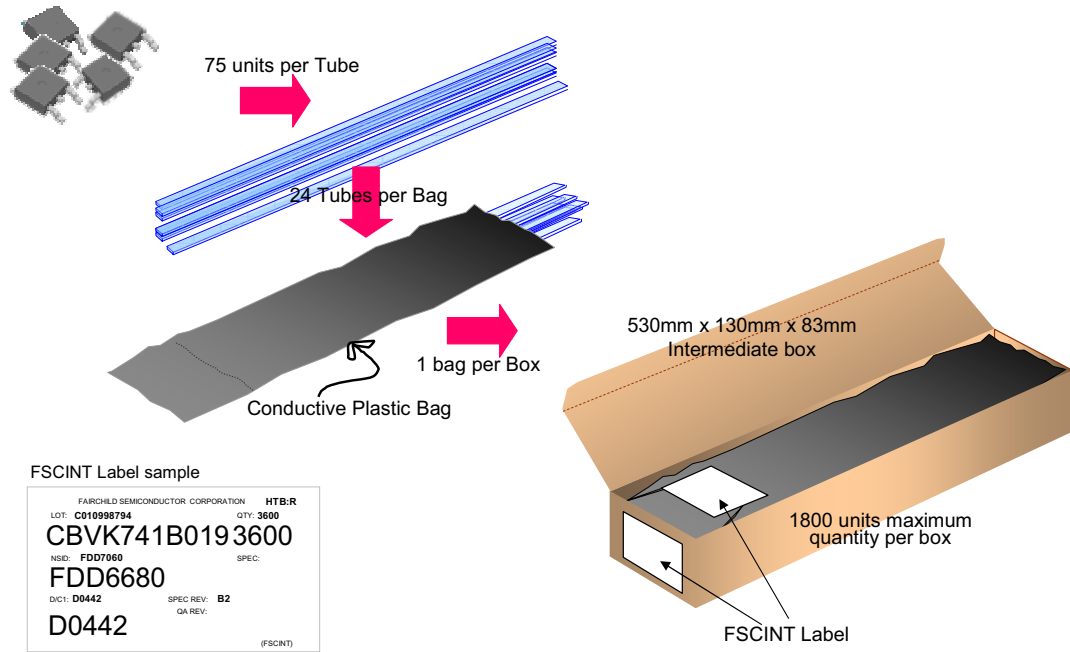


Dimensions are in inches and millimeters

Tape Size	Reel Option	Dim A	Dim B	Dim C	Dim D	Dim N	Dim R	Dim W1	Dim W2	Dim W3 (LSL-USL)
16mm	13" Dia	13.00 330	0.059 1.50	0.512 +0.020-0.008 13 +0.50/-0.20	0.795 20.20	4.00 100	0.5B 0.5B	0.646 +0.078-0.00 16.4 +/-0	0.882 22.4	0.626-0.764 15.9-19.4

TO-252/DPAK Tape and Reel Data, continued

TO-252 (DPAK) Tube Packing Configuration: Figure 5.0



TO-252 (DPAK) Tube Configuration: Figure 6.0

