

Date Created : 2009/09/08
Date Issued On : 2009/09/28
PCN# : Q3093703

INFORMATION ONLY NOTIFICATION

This is to inform you that a minor change is being made to the following product(s). This notification is for your information only.

If you have any questions concerning this change, please contact:

Technical Contact:

Name: Hu, Eric
E-mail: Eric.Hu@fairchildsemi.com
Phone: 86512-67623311-86766

PCN Originator:

Name: Hu, Eric
E-mail: Eric.Hu@fairchildsemi.com
Phone: 86512-67623311-86766

Implementation of change:

Expected 1st Device Shipment Date: 2009/09/21

Earliest Year/Work Week of Changed Product: 0938

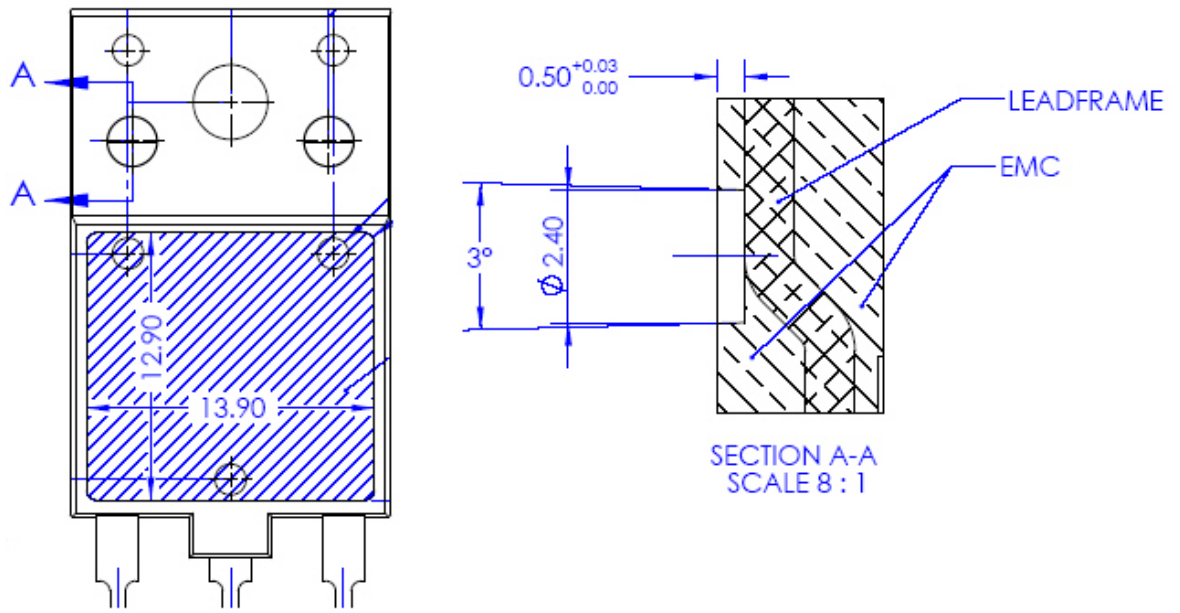
Change Type Description: Molding Method

Description of Change (From): Affected devices use normal molding process with support pins, two support pin holes will be left on package.

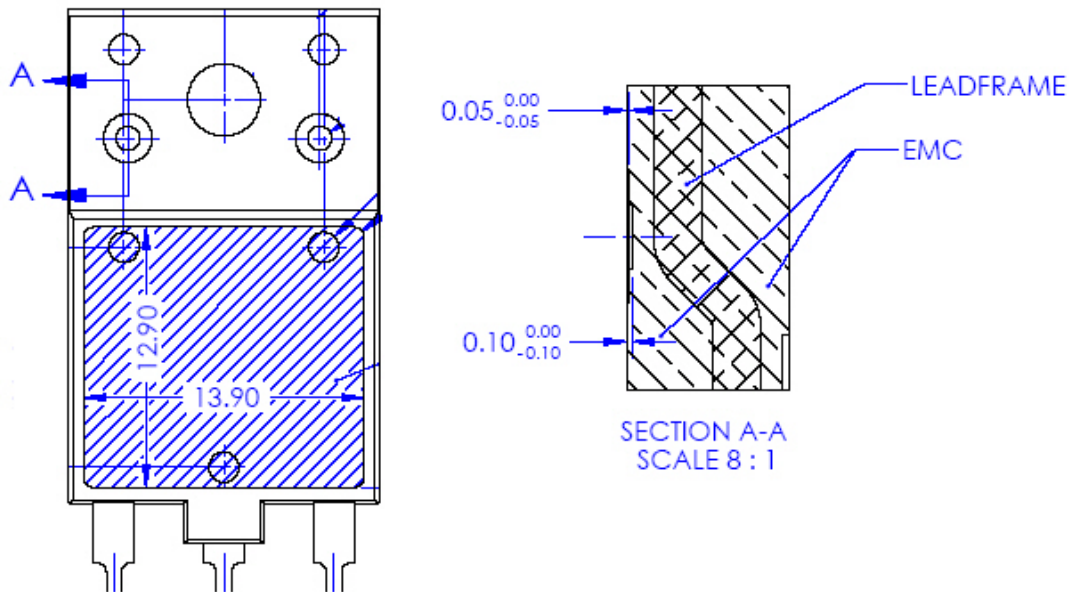
Description of Change (To): Affected devices will use molding process with retractive support pin, no support pin holes will be left on package.

Reason for Change : This change will have no impact on any of the electrical parameters of the products involved. The product test conditions, test limits and performance will remain unchanged.

Change From



Change To



Product Id Description :

Affected FSIDs :

FGAF40N60UFDTU	FGAF40N60UFTU	FJAF4210OTU
FJAF4210RTU	FJAF4210YTU	FJAF4310OTU
FJAF4310YTU	FJAF5804TU	FJAF6810ATU
FJAF6810DTU	FJAF6810TU	FQAF11N90C
FQAF13N80	FQAF16N50	IRFS450B
KSC5030FRTU	SGF23N60UFTU	SGF5N150UFTU
SGF80N60UFTU	TIP147FTU	