

INFORMATION ONLY NOTIFICATION

This is to inform you that a minor change is being made to the following product(s). This notification is for your information only.

If you have any questions concerning this change, please contact:

Technical Contact:

Name: Hu, Eric
E-mail: Eric.Hu@fairchildsemi.com
Phone: 86-512-67623311-86766

PCN Originator:

Name: Hu, Eric
E-mail: Eric.Hu@fairchildsemi.com
Phone: 86-512-67623311-86766

Implementation of change:

Expected 1st Device Shipment Date: 2008/10/13

Earliest Year/Work Week of Changed Product: 0842

Change Type Description: Packing Material Dimensions (Rails/Boxes)

Description of Change (From): TO220 2 and 3 Leads packing tube from Korea SP Semiconductor.

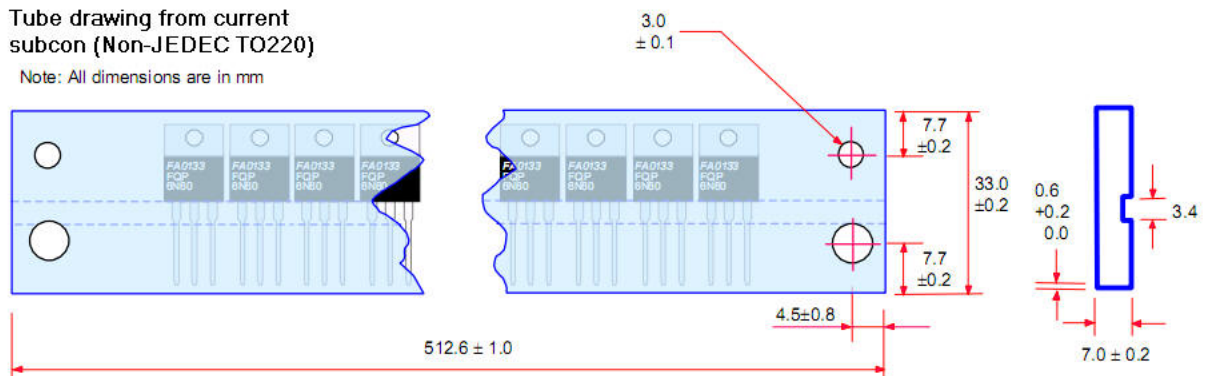
Description of Change (To): TO220 2 and 3 Leads packing tube from Fairchild Suzhou plant. (detail dimension comparison refer to below)

Reason for Change : 1. Comply to PCN: 4074810-A, TO220 2 and 3 Leads will be transferred to Fairchild Suzhou plant, existing qualified tube in Suzhou plant will be replaced to enhance productivity. 2. TO220 2 and 3 Leads from Suzhou plant will have additional JEDEC dimension, original tube dimension can not accommodate the JEDEC one.

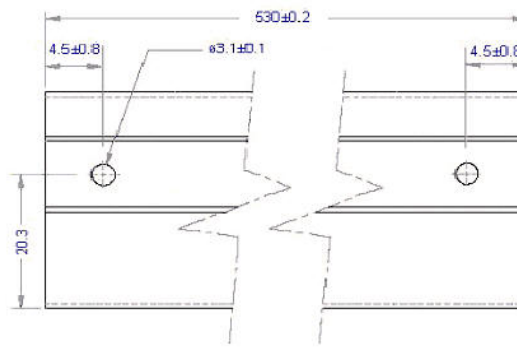
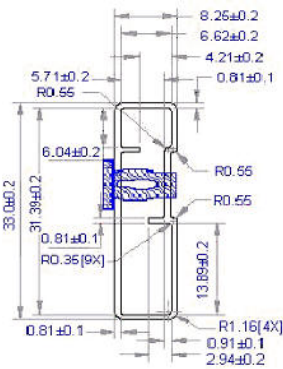
Change From

Tube drawing from current subcon (Non-JEDEC TO220)

Note: All dimensions are in mm



Change To



Tube drawing from Suzhou (JEDEC TO220)

	Non-JEDEC	JEDEC
Tube Length	512.6	530.00
Tube Width	33.0	33.00
Tube Height	7.0	8.25
Pin Hole	Ø3.0	Ø3.1
Pin Hole X	4.5	4.50
Pin Hole Y	7.7	12.70
Tube Thickness	0.6	0.81

Product Id Description :

Affected FSIDs :

FCP11N60F	FCP11N65	FCP16N60
FCP20N60	FCP4N60	FCP7N60
FDP050AN06A0_NF063	FDP15N65	FDP16N50
FDP18N20F	FDP18N50	FDP20N50
FDP20N50F	FDP24N40	FDP26N40
FDP2710	FDP34N33	FDP46N30
FDP52N20	FDP5N50	FDP7N50
FFP04S60STU	FFP08H60STU	FFP08S60SNTU
FFP08S60STU	FFP12UP20DNTU	FFP15S60STU
FFP20UP20DNTU	FFP30S60STU	FFP30UP20DNTU
FJP3305H1TU	FJP3305H2TU	FJP3305TU
FJP5554	FJP5555TU	FQP11N50CF
FQP16N25C	FQP19N20C	FQP32N20C
FQP33N10L_SB82136	FQP44N10_TC001	FQP45N15V2
FQP50N06L_EPKE0003	FQP5N60C_SB82156	FQP6N40CF
FQP6N60C	FQP7N80	HUF75645P3_F101
IRF740B	IRF830B_NBEA007	KSA473YTSTUA
KSC1173YTSTU	KSC1173YTSTUA	KSC5021RTU
KSD363OTU	KSD363RTU	KSD363YTU
KSE13009TU	KSE44A11TU	MC7812ECT
RHRP15120_SW82199	RHRP1560_SW82201	SGP10N60RUFDTU
SGP13N60UFDTU	SGP23N60UFDTU	SGP23N60UFTU
SGP40N60UFTU	SGP6N60UFDTU	