

Date Created : 2006/05/17
Date Issued On : 2006/10/19
PCN# : Q2062101

FORECAST CHANGE NOTIFICATION

This is to inform you that a design and/or process change will be made to the following product(s). This notification is for your information and concurrence. This is a preliminary notification. A Final PCN will be issued when qualification is complete and data is available.

If you require data or samples to qualify this change, please contact **Fairchild Semiconductor within 30 days of receipt of this notification.**

If you have any questions concerning this change, please contact:

Technical Contact:

Name: Singh, Tirlochan
E-mail: Tirlochan.Singh@fairchildsemi.com
Phone: 604-6437211#614

PCN Originator:

Name: Chung, Yvonne
E-mail: Yvonne.Chung@fairchildsemi.com
Phone: 604-6437211#785

Implementation of change:

Expected 1st Device Shipment Date: 2006/10/29

Earliest Year/Work Week of Changed Product: 0640

Change Type Description: Alternate Assembly/Test Location/Qualification

Description of Change (From): Current manufacturing location at Fairchild Semiconductor Malaysia Sdn. Bhd. and Hana Semiconductor Thailand

Description of Change (To): Carsem Malaysia Sdn. Bhd. facility is being added as an additional manufacturing site for SC70 package types upon successful completion of Fairchild's qualification process. Fairchild Semiconductor Malaysia Sdn. Bhd. and Hana Semiconductor Thailand sites will continue to produce SC70 devices.

Reason for Change : To improve product availability and manufacturing flexibility.

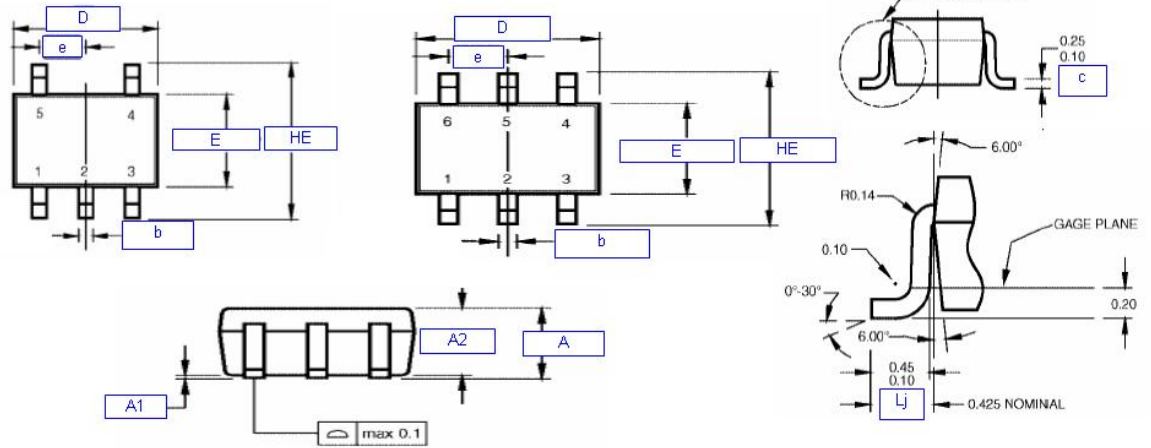
Qual/REL Plan Numbers : Q20060148

Qualification :

Four qualification lots will be assembled at Carsem Malaysia. Reliability testing will be performed as in the qualification plan and results will be published in the final PCN.

Change From

a) Physical Dimension changes



Package Type	SYMBOL	FSPM		HANA	
		Min (mm)	Max (mm)	Min (mm)	Max (mm)
SC70-5L and SC70-6L	D	1.80	2.20	1.90	2.15
	e	0.65 BSC		0.65BSC	
	HE	2.00	2.20	2.00	2.20
	E	1.15	1.35	1.15	1.35
	b	0.15	0.30	0.15	0.30
	A	0.80	1.10	0.80	1.10
	A1	0.00	0.10	0.00	0.10
	A2	0.80	1.00	0.80	1.00
	c	0.10	0.25	0.08	0.25
Lj	0.10	0.45	0.26	0.46	

note: the dimensional difference are highlighted in yellow

b) Bill of materials

Package Type	Material	FSPM	HANA
SC70-5L and SC70-6L	Mold compound	Nitto MP8000ANF	Nitto MP8000AN
	Lead frame material	C194	C194

Change To

a) Physical Dimension changes

Package Type	SYMBOL	CARSEM	
		Min (mm)	Max (mm)
SC70-5L and SC70-6L	D	1.80	2.20
	e	0.65BSC	
	HE	1.80	2.40
	E	1.15	1.35
	b	0.15	0.30
	A	0.80	1.10
	A1	0.00	0.10
	A2	0.80	1.00
	c	0.10	0.18
	Lj	0.26	0.46

note: the dimensional difference are highlighted in yellow

b) Bill of materials

Package Type	Material	CARSEM
SC70-5L and SC70-6L	Mold compound	Nitto MP8000C
	Lead frame material	Alloy 42

Qualification Stress Test and Sample Size Detail

Device #1	FSA4157AP6
Package:	NSC70
#Leads:	006

Precondition Description:

				Readpoints	Sample
Stress	P/C	Standard	Conditions		A
PCNL1A		JESD22-A113			0

Environment Stress Detail:

				Readpoints			Samples
Stress	P/C	Standard	Conditions	TP1	TP2	TP3	A
ACLV		JESD22-A102	100%RH, 121C	96			77
GATE+		AEC-Q100-006	155C, 400V	1			3
GATE-		AEC-Q100-006	155C, -400V	1			3
HAST1	X	JESD22-A110	85%RH, 130C, 0V	96			45
HTSL		JESD22-A103	150C	168	500	1000	77
SOPL1	X	JESD22-A108	150C, 0V	168	500	1000	77
TMCL1	X	JESD22-A104	-65C, 150C	500	1000		77

Device #2	NC7SBU3157P6X
Package:	NSC70
#Leads:	006

Precondition Description:

				Readpoint	Sample
Stress	P/C	Standard	Conditions		A
PCNL1A		JESD22-A113			0

Environment Stress Detail:

				Readpoints			Samples
Stress	P/C	Standard	Conditions	TP1	TP2	TP3	A

ACLV		JESD22-A102	100%RH, 121C	96			77
GATE+		AEC-Q100-006	155C, 400V	1			3
GATE-		AEC-Q100-006	155C, -400V	1			3
HAST1	X	JESD22-A110	85%RH, 130C, 0V	96			45
HTSL		JESD22-A103	150C	168	500	1000	77
SOPL1	X	JESD22-A108	150C, 0V	168	500	1000	77
TMCL1	X	JESD22-A104	-65C, 150C	500	1000		77

Device #3	NC7SV58P6X
Package:	NSC70
#Leads:	006

Precondition Description:

				Readpoint	Sample
Stress	P/C	Standard	Conditions		A
PCNL1A		JESD22-A113			0

Environment Stress Detail:

				Readpoints			Samples
Stress	P/C	Standard	Conditions	TP1	TP2	TP3	A
ACLV		JESD22-A102	100%RH, 121C	96			77
GATE+		AEC-Q100-006	155C, 400V	1			3
GATE-		AEC-Q100-006	155C, -400V	1			3
HAST1	X	JESD22-A110	85%RH, 130C, 0V	96			45
HTSL		JESD22-A103	150C	168	500	1000	77
SOPL1	X	JESD22-A108	150C, 0V	168	500	1000	77
TMCL1	X	JESD22-A104	-65C, 150C	500	1000		77

Device #4	NC7SZ125P5X
Package:	NSC70
#Leads:	005

Precondition Description:

				Readpoint	Sample
Stress	P/C	Standard	Conditions		A
PCNL1A		JESD22-A113			0

Environment Stress Detail:

				Readpoints			Samples
Stress	P/C	Standard	Conditions	TP1	TP2	TP3	A
ACLV		JESD22-A102	100%RH, 121C	96			77
GATE+		AEC-Q100-006	155C, 400V	1			3
GATE-		AEC-Q100-006	155C, -400V	1			3
HAST1	X	JESD22-A110	85%RH, 130C, 0V	96			45
HTSL		JESD22-A103	150C	168	500	1000	77
SOPL1	X	JESD22-A108	150C, 0V	168	500	1000	77
TMCL1	X	JESD22-A104	-65C, 150C	500	1000		77

Product Id Description : SC70 package types which are currently assembled and tested at Fairchild Semiconductor Malaysia Sdn. Bhd. and Hana Semiconductor Thailand. The products affected by this change are listed in the AFFECTED FSIDs section.

Affected FSIDs :

FSA1156P6	FSA1156P6X	FSA1156P6X_F40
-----------	------------	----------------

FSA1156P6X_NF40	FSA1156P6X_NL	FSA1156P6X_Q
FSA1156P6X_QF40	FSA1156P6_NL	FSA1157P6
FSA1157P6X	FSA1157P6X_NF40	FSA1157P6X_NL
FSA1157P6X_Q	FSA1157P6_NL	FSA2156P6
FSA2156P6X	FSA3157P6X	FSA3157P6X_F40
FSA3157P6X_NL	FSA3157P6X_Q	FSA3157P6X_QF40
FSA4157AP6	FSA4157AP6X	FSA4157AP6X_NL
FSA4157AP6X_Q	FSA4157AP6_NL	FSA4157P6
FSA4157P6X	FSA4157P6X_NF40	FSA4157P6X_NL
FSA4157P6X_Q	FSA4157P6_NL	FSA5157P6X
FSA66P5	FSA66P5X	FSA66P5X_NL
FSA66P5X_Q	FSA66P5_NL	FSAU3157P6X
FSAU3157P6X_F40	FSAU3157P6X_NL	FSAU3157P6X_Q
FSAU3157P6X_QF40	FXLP34P5X	FXLP34P5X_F042
FXLP34P5X_F094	FXLP34P5X_F40	FXLP34P5X_NF042
FXLP34P5X_NF40	FXLP34P5X_NL	NC7S00P5
NC7S00P5X	NC7S00P5X_F002	NC7S00P5X_F40
NC7S00P5X_NF40	NC7S00P5X_NL	NC7S00P5_F002
NC7S00P5_F40	NC7S02P5	NC7S02P5X
NC7S02P5X_F002	NC7S02P5X_F40	NC7S02P5X_NF40
NC7S02P5X_NL	NC7S02P5_F002	NC7S02P5_F40
NC7S04P5	NC7S04P5X	NC7S04P5X_F002
NC7S04P5X_F042	NC7S04P5X_F40	NC7S04P5X_NF40
NC7S04P5X_NL	NC7S04P5_F002	NC7S04P5_F40
NC7S04P5_Q	NC7S08P5	NC7S08P5X
NC7S08P5X_F002	NC7S08P5X_F40	NC7S08P5X_NF40
NC7S08P5X_NL	NC7S08P5_F002	NC7S08P5_F40
NC7S08P5_NL	NC7S14P5	NC7S14P5X
NC7S14P5X_F002	NC7S14P5X_F042	NC7S14P5X_F40
NC7S14P5X_NF042	NC7S14P5X_NF40	NC7S14P5X_NL
NC7S14P5_F002	NC7S14P5_F042	NC7S14P5_F40
NC7S14P5_NL	NC7S32P5	NC7S32P5X
NC7S32P5X_F002	NC7S32P5X_F40	NC7S32P5X_NF40
NC7S32P5X_NL	NC7S32P5_F002	NC7S86P5
NC7S86P5X	NC7S86P5X_F002	NC7S86P5X_F40
NC7S86P5X_NF40	NC7S86P5X_NL	NC7S86P5_F002
NC7S86P5_F40	NC7SB3157P6X	NC7SB3157P6X_F021
NC7SB3157P6X_F042	NC7SB3157P6X_F094	NC7SB3157P6X_F40
NC7SB3157P6X_NF042	NC7SB3157P6X_NF40	NC7SB3157P6X_NL
NC7SB3157P6X_Q	NC7SB3157P6X_QF042	NC7SB3157P6X_QF40
NC7SB3157P6_F40	NC7SB3157P6_QF40	NC7SB3257P6X
NC7SB3257P6X_F40	NC7SB3257P6X_NF40	NC7SB3257P6X_NL
NC7SB3257P6X_Q	NC7SB3257P6X_QF40	NC7SBU3157P6X
NC7SBU3157P6X_NF40	NC7SBU3157P6X_NL	NC7SBU3157P6X_Q
NC7SP00P5X	NC7SP00P5X_F40	NC7SP00P5X_NL
NC7SP02P5X	NC7SP02P5X_F40	NC7SP04P5X
NC7SP04P5X_F40	NC7SP04P5X_NL	NC7SP05P5X
NC7SP05P5X_F40	NC7SP05P5X_NL	NC7SP08P5X
NC7SP08P5X_F40	NC7SP08P5X_NF40	NC7SP08P5X_NL
NC7SP125P5X	NC7SP125P5X_F40	NC7SP126P5X

NC7SP126P5X_F40	NC7SP126P5X_NL	NC7SP14P5X
NC7SP14P5X_F40	NC7SP14P5X_NF40	NC7SP14P5X_NL
NC7SP157P6X	NC7SP157P6X_F40	NC7SP157P6X_NL
NC7SP158P6X	NC7SP158P6X_F40	NC7SP17P5X
NC7SP17P5X_F40	NC7SP17P5X_NF042	NC7SP17P5X_NL
NC7SP19P6X	NC7SP19P6X_NL	NC7SP32P5X
NC7SP32P5X_F40	NC7SP32P5X_NF40	NC7SP32P5X_NL
NC7SP34P5X	NC7SP34P5X_F40	NC7SP34P5X_NL
NC7SP38P5X	NC7SP38P5X_F40	NC7SP38P5X_NL
NC7SP57P6X	NC7SP57P6X_F40	NC7SP57P6X_NL
NC7SP58P6X	NC7SP58P6X_NL	NC7SP86P5X
NC7SP86P5X_F40	NC7SP86P5X_NL	NC7SPU04P5X
NC7SPU04P5X_F40	NC7SPU04P5X_NL	NC7ST00P5
NC7ST00P5X	NC7ST00P5X_F002	NC7ST00P5X_F40
NC7ST00P5X_NL	NC7ST00P5X_Q	NC7ST00P5_F002
NC7ST00P5_F40	NC7ST02P5	NC7ST02P5X
NC7ST02P5X_F002	NC7ST02P5X_F40	NC7ST02P5X_NF40
NC7ST02P5_F002	NC7ST02P5_F40	NC7ST04P5
NC7ST04P5X	NC7ST04P5X_F002	NC7ST04P5X_F40
NC7ST04P5X_NF042	NC7ST04P5X_NF40	NC7ST04P5X_NL
NC7ST04P5_F002	NC7ST04P5_F40	NC7ST08P5
NC7ST08P5X	NC7ST08P5X_F002	NC7ST08P5X_F094
NC7ST08P5X_F40	NC7ST08P5X_NF40	NC7ST08P5X_NL
NC7ST08P5_F002	NC7ST08P5_F40	NC7ST32P5
NC7ST32P5X	NC7ST32P5X_F002	NC7ST32P5X_F40
NC7ST32P5X_NF40	NC7ST32P5X_NL	NC7ST32P5_F002
NC7ST32P5_F40	NC7ST86P5	NC7ST86P5X
NC7ST86P5X_F002	NC7ST86P5X_F40	NC7ST86P5X_NF40
NC7ST86P5X_NL	NC7ST86P5_F002	NC7ST86P5_F40
NC7SU04P5	NC7SU04P5X	NC7SU04P5X_F002
NC7SU04P5X_F40	NC7SU04P5X_NF40	NC7SU04P5X_NL
NC7SU04P5_F002	NC7SU04P5_F40	NC7SV00P5X
NC7SV00P5X_F40	NC7SV00P5X_NL	NC7SV02P5X
NC7SV02P5X_F40	NC7SV02P5X_NL	NC7SV04P5X
NC7SV04P5X_F094	NC7SV04P5X_F40	NC7SV04P5X_NF40
NC7SV04P5X_NL	NC7SV05P5X	NC7SV05P5X_F40
NC7SV05P5X_NL	NC7SV08P5X	NC7SV08P5X_F40
NC7SV08P5X_NL	NC7SV11P6X	NC7SV11P6X_NL
NC7SV125P5X	NC7SV125P5X_F094	NC7SV125P5X_F40
NC7SV125P5X_NF40	NC7SV125P5X_NL	NC7SV126P5X
NC7SV126P5X_F40	NC7SV126P5X_NL	NC7SV14P5X
NC7SV14P5X_F40	NC7SV14P5X_NL	NC7SV157P6X
NC7SV157P6X_F40	NC7SV157P6X_NL	NC7SV158P6X
NC7SV158P6X_F40	NC7SV17P5X	NC7SV17P5X_F40
NC7SV17P5X_NF40	NC7SV17P5X_NL	NC7SV19P6X
NC7SV19P6X_F40	NC7SV19P6X_NF042	NC7SV19P6X_NF40
NC7SV19P6X_NL	NC7SV32P5X	NC7SV32P5X_F40
NC7SV32P5X_NL	NC7SV34P5X	NC7SV34P5X_F40
NC7SV34P5X_NF40	NC7SV34P5X_NL	NC7SV38P5X
NC7SV38P5X_F40	NC7SV38P5X_NL	NC7SV57P6X

NC7SV57P6X_F40	NC7SV57P6X_NF40	NC7SV58P6X
NC7SV58P6X_F40	NC7SV86P5X	NC7SV86P5X_F40
NC7SVU04P5X	NC7SVU04P5X_NL	NC7SZ00P5
NC7SZ00P5X	NC7SZ00P5X_F002	NC7SZ00P5X_F042
NC7SZ00P5X_F40	NC7SZ00P5X_NF042	NC7SZ00P5X_NF40
NC7SZ00P5X_NL	NC7SZ00P5_F002	NC7SZ00P5_F042
NC7SZ00P5_F40	NC7SZ00P5_NF042	NC7SZ00P5_NL
NC7SZ02P5	NC7SZ02P5X	NC7SZ02P5X_F002
NC7SZ02P5X_F40	NC7SZ02P5X_NF042	NC7SZ02P5X_NF40
NC7SZ02P5X_NL	NC7SZ02P5_F002	NC7SZ02P5_F042
NC7SZ02P5_F40	NC7SZ02P5_NF042	NC7SZ02P5_NL
NC7SZ04P5	NC7SZ04P5X	NC7SZ04P5X_F002
NC7SZ04P5X_F042	NC7SZ04P5X_F065	NC7SZ04P5X_F40
NC7SZ04P5X_NF042	NC7SZ04P5X_NF40	NC7SZ04P5X_NL
NC7SZ04P5_F002	NC7SZ04P5_F042	NC7SZ04P5_F40
NC7SZ04P5_NF042	NC7SZ04P5_NL	NC7SZ05P5
NC7SZ05P5X	NC7SZ05P5X_F002	NC7SZ05P5X_F40
NC7SZ05P5X_NF40	NC7SZ05P5X_NL	NC7SZ05P5_F002
NC7SZ05P5_F40	NC7SZ05P5_NL	NC7SZ08P5
NC7SZ08P5X	NC7SZ08P5X_F002	NC7SZ08P5X_F042
NC7SZ08P5X_F065	NC7SZ08P5X_F094	NC7SZ08P5X_F40
NC7SZ08P5X_NF042	NC7SZ08P5X_NF40	NC7SZ08P5X_NL
NC7SZ08P5_F002	NC7SZ08P5_F042	NC7SZ08P5_F40
NC7SZ08P5_NF042	NC7SZ08P5_NL	NC7SZ10P6X
NC7SZ10P6X_F094	NC7SZ10P6X_NL	NC7SZ11P6X
NC7SZ11P6X_F40	NC7SZ11P6X_NF042	NC7SZ11P6X_NF40
NC7SZ11P6X_NL	NC7SZ125P5	NC7SZ125P5X
NC7SZ125P5X_F002	NC7SZ125P5X_F042	NC7SZ125P5X_F065
NC7SZ125P5X_F094	NC7SZ125P5X_F40	NC7SZ125P5X_NF042
NC7SZ125P5X_NF40	NC7SZ125P5X_NL	NC7SZ125P5X_SF500964
NC7SZ125P5_F002	NC7SZ125P5_F042	NC7SZ125P5_F40
NC7SZ125P5_NF042	NC7SZ125P5_NL	NC7SZ126P5
NC7SZ126P5X	NC7SZ126P5X_F002	NC7SZ126P5X_F042
NC7SZ126P5X_F065	NC7SZ126P5X_F094	NC7SZ126P5X_F40
NC7SZ126P5X_NF042	NC7SZ126P5X_NF40	NC7SZ126P5X_NL
NC7SZ126P5_F002	NC7SZ126P5_F042	NC7SZ126P5_F40
NC7SZ14P5	NC7SZ14P5X	NC7SZ14P5X_F002
NC7SZ14P5X_F042	NC7SZ14P5X_F40	NC7SZ14P5X_NF40
NC7SZ14P5X_NL	NC7SZ14P5X_SF501633	NC7SZ14P5_F002
NC7SZ14P5_NL	NC7SZ157P6X	NC7SZ157P6X_F094
NC7SZ157P6X_F40	NC7SZ157P6X_NF40	NC7SZ157P6X_NL
NC7SZ175P6	NC7SZ175P6X	NC7SZ175P6X_F042
NC7SZ175P6X_F40	NC7SZ175P6X_NF40	NC7SZ175P6X_NL
NC7SZ175P6_NL	NC7SZ18P6X	NC7SZ18P6X_NL
NC7SZ19P6	NC7SZ19P6X	NC7SZ19P6X_F042
NC7SZ19P6X_F40	NC7SZ19P6X_NF042	NC7SZ19P6X_NF40
NC7SZ19P6X_NL	NC7SZ27P6X	NC7SZ27P6X_F40
NC7SZ27P6X_NL	NC7SZ32P5	NC7SZ32P5X
NC7SZ32P5X_F002	NC7SZ32P5X_F042	NC7SZ32P5X_F065
NC7SZ32P5X_F094	NC7SZ32P5X_F40	NC7SZ32P5X_NF042

NC7SZ32P5X_NF40	NC7SZ32P5X_NL	NC7SZ32P5_F002
NC7SZ32P5_F042	NC7SZ32P5_F40	NC7SZ32P5_NF042
NC7SZ32P5_NL	NC7SZ332P6X	NC7SZ332P6X_F40
NC7SZ332P6X_NL	NC7SZ373P6	NC7SZ373P6X
NC7SZ373P6X_NL	NC7SZ374P6	NC7SZ374P6X
NC7SZ374P6X_F042	NC7SZ374P6X_F094	NC7SZ374P6X_F40
NC7SZ374P6X_NF042	NC7SZ374P6X_NF40	NC7SZ374P6X_NL
NC7SZ374P6_NL	NC7SZ384P5	NC7SZ384P5X
NC7SZ384P5X_F042	NC7SZ384P5X_F40	NC7SZ384P5X_NF40
NC7SZ384P5X_NL	NC7SZ384P5X_Q	NC7SZ384P5X_QF042
NC7SZ384P5X_QF40	NC7SZ384P5_F40	NC7SZ384P5_NL
NC7SZ384P5_Q	NC7SZ384P5_QF40	NC7SZ386P6X
NC7SZ386P6X_NL	NC7SZ38P5	NC7SZ38P5X
NC7SZ38P5X_F002	NC7SZ38P5X_F094	NC7SZ38P5X_F40
NC7SZ38P5X_NL	NC7SZ38P5_F002	NC7SZ38P5_F40
NC7SZ57P6X	NC7SZ57P6X_F094	NC7SZ57P6X_F40
NC7SZ57P6X_NL	NC7SZ58P6X	NC7SZ58P6X_F40
NC7SZ58P6X_NF40	NC7SZ58P6X_NL	NC7SZ66P5
NC7SZ66P5X	NC7SZ66P5X_F009	NC7SZ66P5X_F094
NC7SZ66P5X_F40	NC7SZ66P5X_NF40	NC7SZ66P5X_NL
NC7SZ66P5X_Q	NC7SZ66P5X_QF009	NC7SZ66P5X_QF042
NC7SZ66P5X_QF40	NC7SZ66P5_Q	NC7SZ66P5_QF40
NC7SZ86P5	NC7SZ86P5X	NC7SZ86P5X_F002
NC7SZ86P5X_F042	NC7SZ86P5X_F40	NC7SZ86P5X_NF042
NC7SZ86P5X_NF40	NC7SZ86P5X_NL	NC7SZ86P5_F002
NC7SZ86P5_F042	NC7SZ86P5_F40	NC7SZ86P5_NL
NC7SZD384P5X	NC7SZD384P5X_F40	NC7SZD384P5X_NF40
NC7SZD384P5X_NL	NC7SZD384P5X_Q	NC7SZD384P5X_QF40
NC7SZD384P5_F40	NC7SZD384P5_QF40	NC7SZU04P5
NC7SZU04P5X	NC7SZU04P5X_F002	NC7SZU04P5X_F094
NC7SZU04P5X_F40	NC7SZU04P5X_NF40	NC7SZU04P5X_NL
NC7SZU04P5_F002	NC7SZU04P5_F40	NC7WP14P6X
NC7WP14P6X_NF042	NC7WP14P6X_NL	NC7WV04P6X
NC7WV04P6X_NF40	NC7WV04P6X_NL	NC7WV07P6X
NC7WV07P6X_F40	NC7WV07P6X_NL	NC7WV14P6X
NC7WV14P6X_NL	NC7WV16P6X	NC7WV16P6X_F40
NC7WV16P6X_NF40	NC7WV16P6X_NL	NC7WV17P6X
NC7WV17P6X_NL	NC7WZ04P6	NC7WZ04P6X
NC7WZ04P6X_F042	NC7WZ04P6X_F094	NC7WZ04P6X_F40
NC7WZ04P6X_NF40	NC7WZ04P6X_NL	NC7WZ04P6_F40
NC7WZ04P6_NL	NC7WZ07P6	NC7WZ07P6X
NC7WZ07P6X_F042	NC7WZ07P6X_F094	NC7WZ07P6X_F40
NC7WZ07P6X_NF042	NC7WZ07P6X_NF40	NC7WZ07P6X_NL
NC7WZ07P6_F40	NC7WZ07P6_NL	NC7WZ14P6
NC7WZ14P6X	NC7WZ14P6X_F40	NC7WZ14P6X_NF40
NC7WZ14P6X_NL	NC7WZ14P6_F40	NC7WZ14P6_NL
NC7WZ16P6	NC7WZ16P6X	NC7WZ16P6X_F042
NC7WZ16P6X_F094	NC7WZ16P6X_F40	NC7WZ16P6X_NF042
NC7WZ16P6X_NF40	NC7WZ16P6X_NL	NC7WZ16P6_NL
NC7WZ17P6	NC7WZ17P6X	NC7WZ17P6X_F042

NC7WZ17P6X_F094	NC7WZ17P6X_F40	NC7WZ17P6X_NF042
NC7WZ17P6X_NF40	NC7WZ17P6X_NL	NC7WZ17P6_F40
NC7WZ17P6_NL	NC7WZU04P6	NC7WZU04P6X
NC7WZU04P6X_F40	NC7WZU04P6X_NF40	NC7WZU04P6X_NL