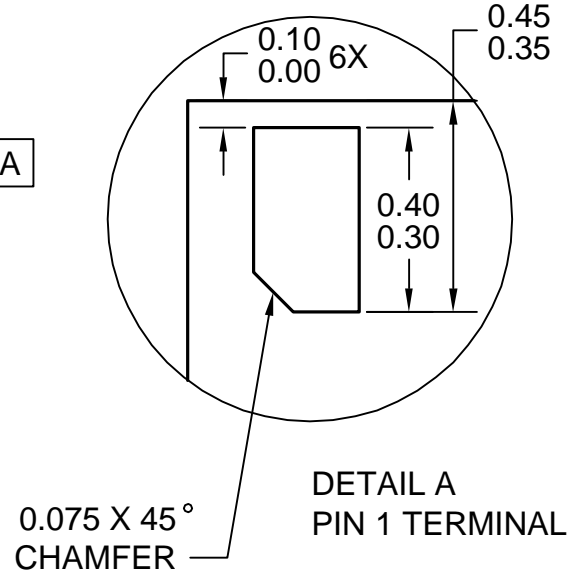
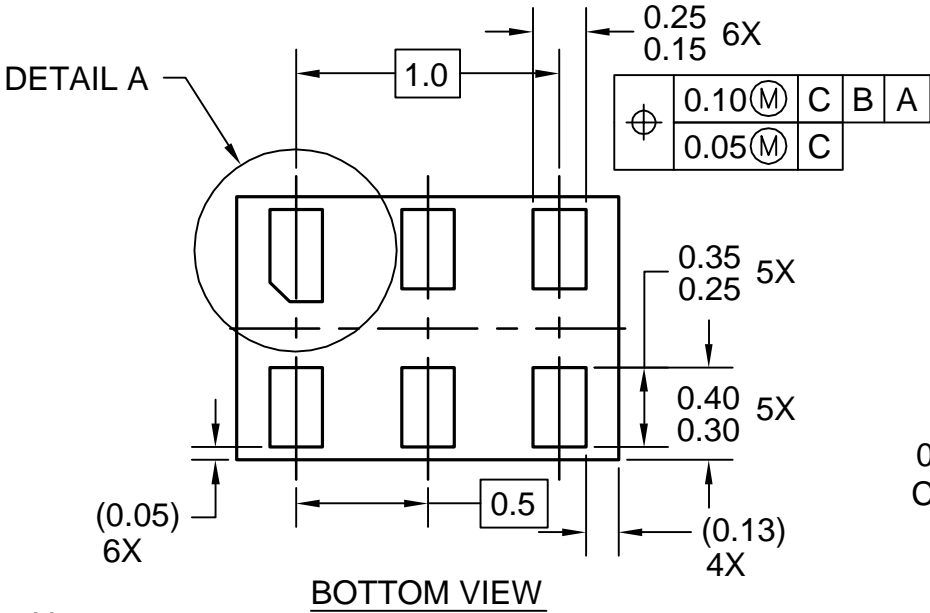
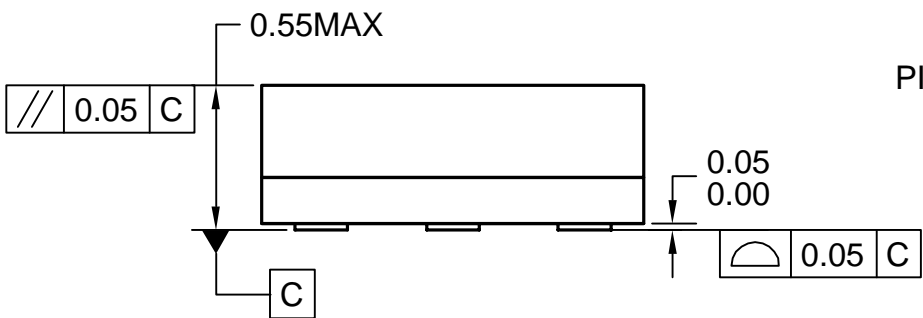
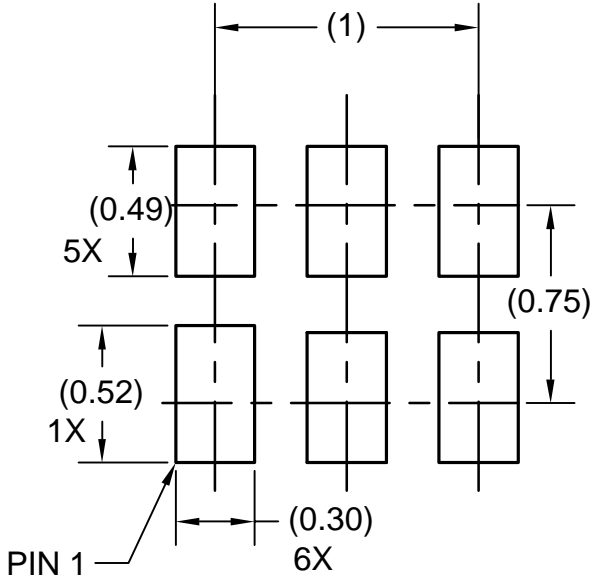
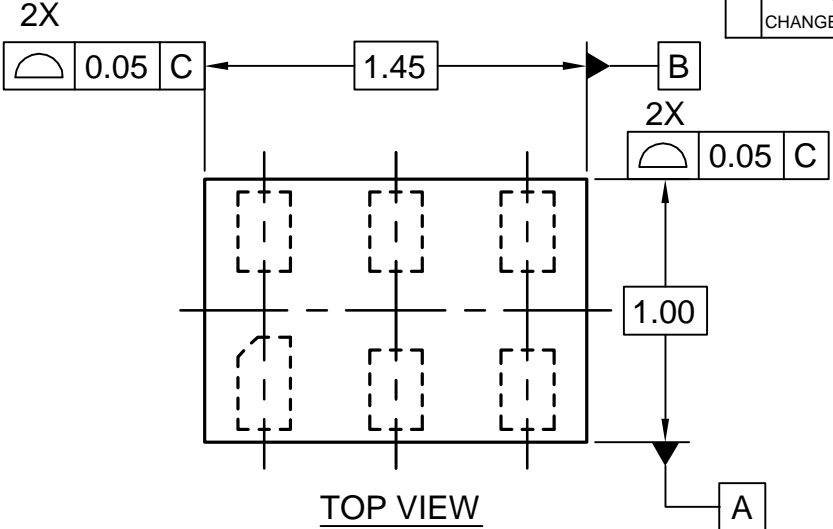


REVISIONS				
LTR	DESCRIPTION	EDCN	DATE	BY/APPD
A	INITIAL MARKETING DRAWING		3/8/01	HAllen
B	REVISED LANDPATTERN	MKT-MAC06A_B	4/27/01	HAllen
C	ADDED JEDEC REFERENCE CHANGED TOLERANCES	MKT-MAC06A_C	10/01/05 10/05/05	HAllen JKINGSBURY



Notes:

1. CONFORMS TO JEDEC STANDARD M0-252 VARIATION UAAD
2. DIMENSIONS ARE IN MILLIMETERS
3. DRAWING CONFORMS TO ASME Y14.5M-1994

MAC06AREVC

APPROVALS	DATE	 333 Western Avenue, S. Portland, Maine			
DRAWN: H.Allen	1-10-05				
DFTG. CHK: J. Kingsbury	5-10-05				
ENGR. CHK: H.Allen	5-12-05	6LD, MicroPak, 1.0mm Wide			
 INCH (MM)		SCALE: N/A	SIZE:	DRAWING NUMBER: MKT-MAC06A	REV: C
		DO NOT SCALE DRAWING		SHEET 1 of 1	